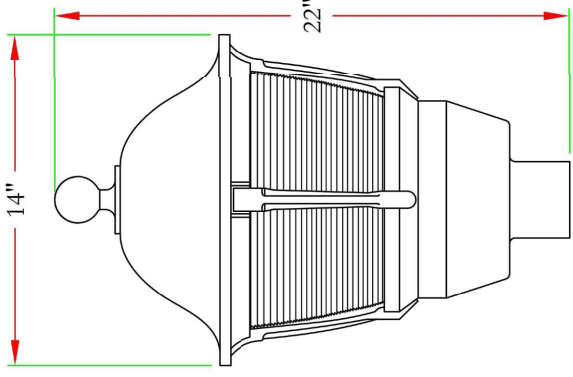


Sentry SLH Hamlet Series Luminaires



CONSTRUCTION:
All components including base and finial to be of high-strength ASTM 356.1 cast aluminum. Luminaire shall be fully welded creating one integral housing. Injection-molded acrylic refractive globe. Cast aluminum hood shall be hinged to allow for easy fixture maintenance.

DIMENSIONS: (h x Ø)
(22" x 14")

WEIGHT: (approximate)
30 pounds

OPTICAL:
Injection-molded refractive acrylic globe. Light distribution available in symmetrical and asymmetrical patterns.

ELECTRICAL:
Meets U.L. 1598 standard for safety. Driver shall provide constant current. The system has a surge protection 6kV/3kA per IEEE/ANSI C62.41.2. Luminaire has to be grounded.

FINISH:
All components shall be finished with high gloss Super Durable polyester powder coat paint to be applied utilizing a multi-stage process that includes phosphate pretreatment, electrostatic powder application, and convection curing.
Color to be specified.

MOUNTING:
Mounts to a 3" diameter by 2 1/2" tall tenon. (3) 3/8"-16 UNC stainless steel allen head cup point set screws secure luminaire to post top tenon.
All mounting hardware shall be stainless steel.

Catalog #: SLH-50LEDV29-1.4A-840-KHT5SQ-III
Color: BLACK

VOLTAGE

- 120-277V
- Light Distribution:**
- KHT5SQ-III Type V
 - KHT5SQ-V Type III

Globe Material:

- Polycarbonate
- AC Acrylic (Standard)
- (blank) - Finial (Standard)
- NF No Finial
- TLR Twist Lock Photocell receptacle
- BPC Burton Photo Cell (Advise Voltage)

LUMINAIRE WATTAGE:

- 50LEDV29-1.4A 1400mA, 57 Watt
- 38LEDV29-1.05A 1050mA, 43 Watt
- 24LEDV29-0.7A 700mA, 27 Watt

CRI, CCT:

- 830 80CRI, 3000K CCT
- 835 80CRI, 3500K CCT
- 840 80CRI, 4000K CCT

LED:



GARDNER, KANSAS
PUBLIC
WORKS/
ENGINEERING
DIVISION

APPROVED
TRM
CITY ENGINEER
2-1-07
DATE

REVISED
11/4/22

POST TOP
LUMINAIRE
DETAIL

STANDARD
DETAIL
90-3