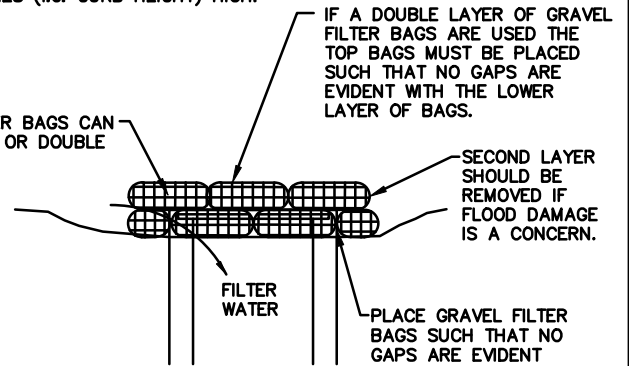
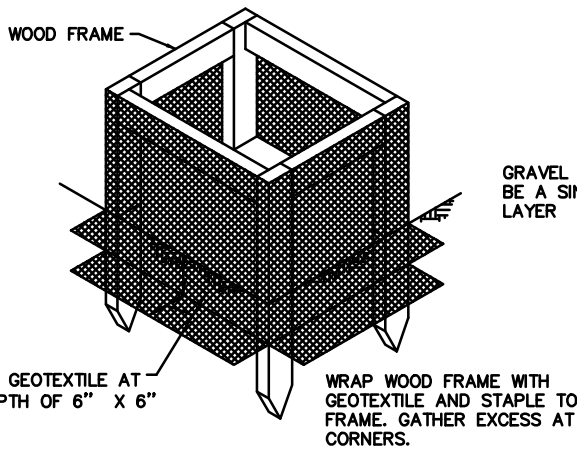


3/4-INCH GRAVEL CONTAINED IN PERVIOUS BURLAP BAGS OR SYNTHETIC NET BAGS (1/8-INCH MESH) APPROXIMATELY 24 INCHES LONG, 12 INCHES WIDE, AND 6 INCHES (i.e. CURB HEIGHT) HIGH.



CROSS-SECTION AA

SILT FENCE BOX OPTION

GRAVEL FILTER OPTION

GENERAL NOTES:

1. INLET PROTECTION AT AREA INLETS SHALL BE INSTALLED WITHIN 48 HOURS OF POURING INLET.
2. OTHER AREA INLET PROTECTION METHODS WILL BE ALLOWED IF ACCEPTED BY THE CITY.
3. SILT FENCE BOX OPTION SHALL NOT BE USED WHEN PONDING BEHIND THE SEDIMENT CONTROL MAY CAUSE STREET OR STRUCTURE FLOODING.

MAINTENANCE NOTES:

1. THE CONTRACTOR SHALL INSPECT INLET PROTECTION AFTER EACH RAIN EVENT OF 1/2 INCH OR GREATER AND REPAIRS MADE AS NEEDED.
2. SEDIMENT ACCUMULATED UPSTREAM OF INLET PROTECTION SHALL BE REMOVED WHEN THE SEDIMENT DEPTH REACHES 1/2 OF THE DESIGN DEPTH.
3. TO PREVENT CLOGGING, FILTER FABRIC OR GRAVEL FILTERS SHOULD BE CLEANED OR REPLACED PERIODICALLY.
4. INLET PROTECTION IS TO REMAIN IN PLACE UNTIL THE UPSTREAM DISTURBED AREA IS STABILIZED AND GRASS COVER IS ACCEPTED.
5. WHEN INLET PROTECTION AT AREA INLETS ARE REMOVED, THE DISTURBED AREA SHALL BE SEEDED AND MULCHED OR OTHERWISE STABILIZED IN A MANNER ACCEPTED BY THE CITY.



APPROVED REVISED

TRM
CITY ENGINEER

5-25-22
DATE

DROP INLET
PROTECTION

STANDARD
DETAIL
73-6