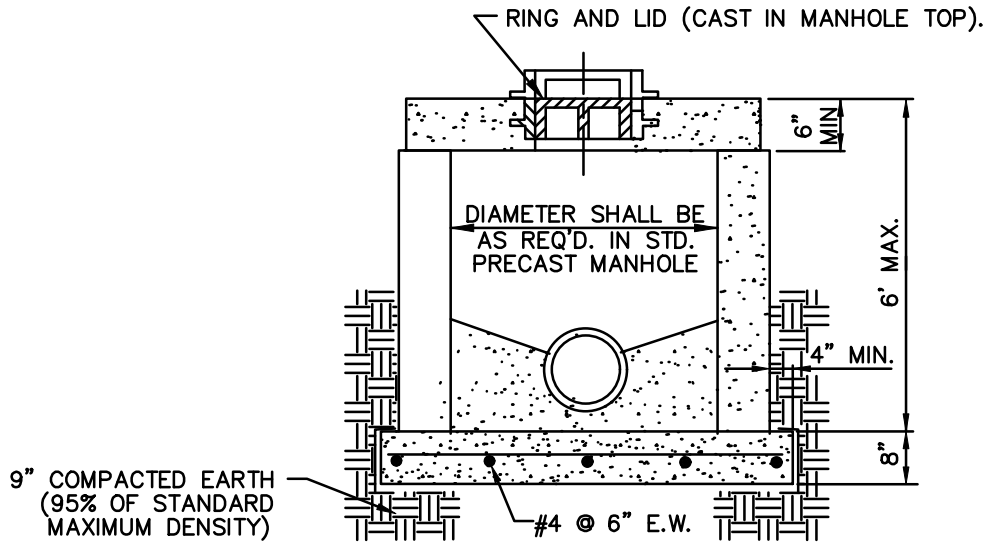



PLAN



SECTION

NOTES:

1. IF LIFTING LOOPS ARE LOCATED ON THE TOP OF THE INLET TOPS, A MINIMUM OF 2" COVER IS REQUIRED OVER THE LIFTING LOOPS.
2. USE OF A STANDARD LID AND RING WILL BE ALLOWED WHERE GRADE PERMITS.
3. CONTRACTOR SHALL PROVIDE STEPS SPACED AT 1'-4" O.C. WHERE INLET OR MANHOLE DEPTH IS GREATER THAN 4'-0". INSTALL AS NEEDED WHERE INLET OR MANHOLE DEPTH IS LESS THAN 4'-0".
4. CONCRETE USED FOR THE CONSTRUCTION OF JUNCTION BOXES SHALL CONFORM TO SECTION 2000, CONCRETE CONSTRUCTION.
5. SEE WALL SECTION DETAIL 40-2.
6. PRE-CAST TOP IS PERMITTED WHEN CONCRETE TOP IS BELOW FINISHED GRADE.

	<p><i>APPROVED</i></p>	<p><i>REVISED</i></p>	<p>SHALLOW JUNCTION BOX DETAIL</p>	<p>STANDARD DETAIL 40-6</p>
	<p>TRM <i>CITY ENGINEER</i></p>	<p>5-25-22</p>		
	<p>2-1-07 <i>DATE</i></p>			