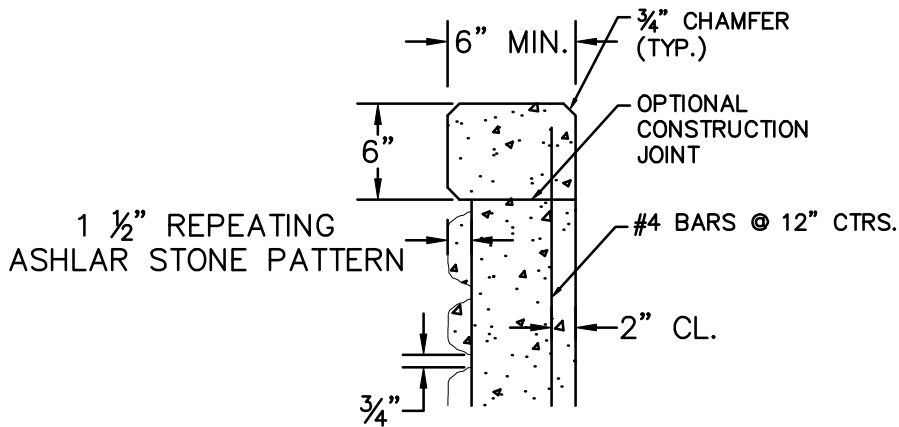
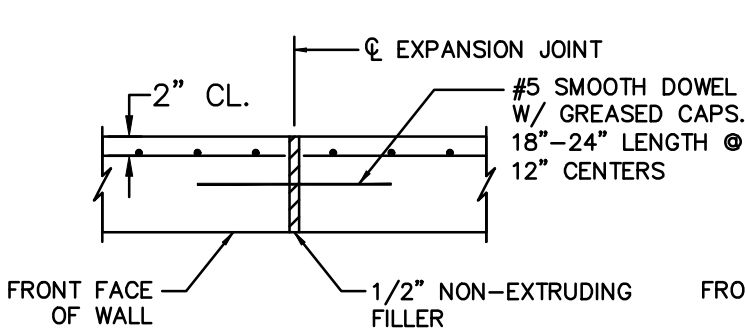


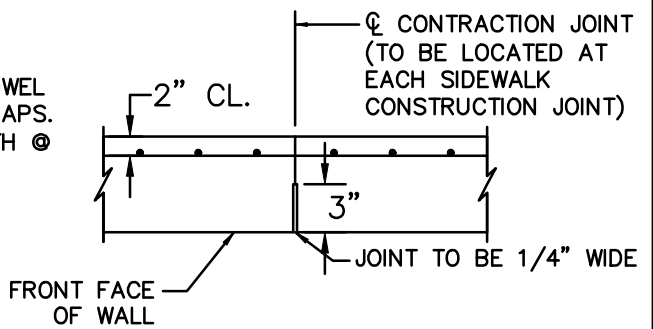
**ELEVATION**  
NOT TO SCALE



**WALL CAP DETAIL**  
NOT TO SCALE



**TYPE A JOINT**  
**VERTICAL EXPANSION JOINT DETAIL**  
NOT TO SCALE



**TYPE B JOINT**  
**VERTICAL CONTRACTION JOINT DETAIL**  
NOT TO SCALE

NOTE: JOINTS SHALL BE MADE BY USE OF PREFORMED CONTRACTION JOINTS



APPROVED	REVISED
TRM CITY ENGINEER	
5-25-22 DATE	

**RETAINING WALL  
FORMLINER  
(PAGE 1)**

STANDARD  
DETAIL  
21-9C