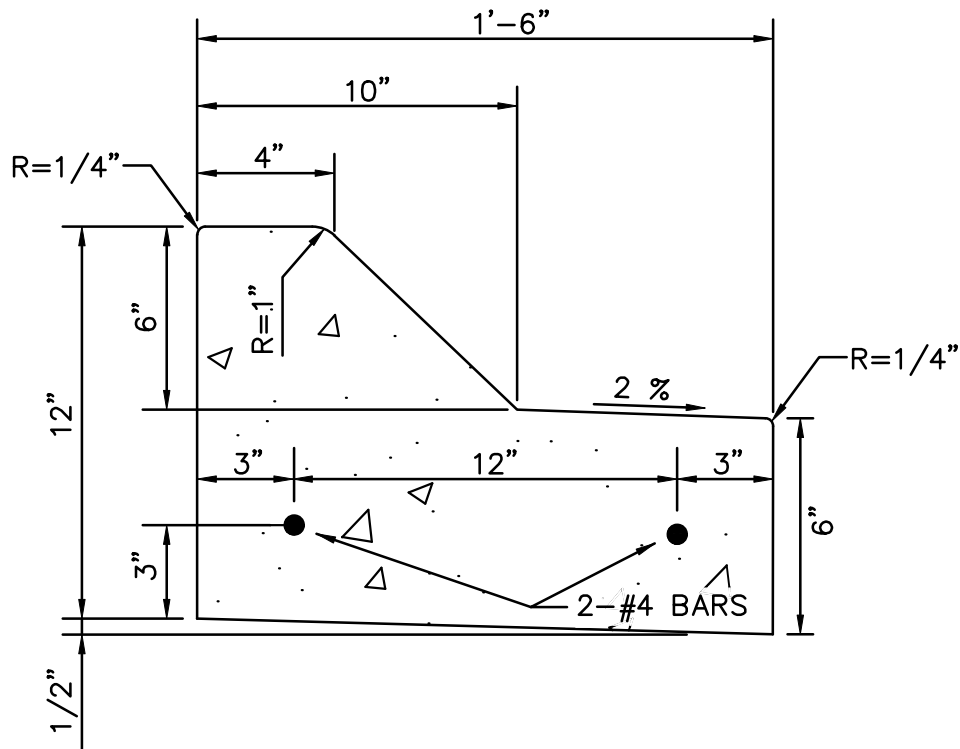



NOTE:

1. EXPANSION, CONTRACTION, OR CONSTRUCTION JOINTS ARE TO BE SAME AS NOTED ON TYPE "A" CURB AND GUTTER DETAIL.
2. KCMMB4K CONCRETE SHALL BE USED THROUGHOUT AND ADHERE TO CITY OF GARDNER TECHNICAL SPECIFICATIONS.



	APPROVED TRM CITY ENGINEER	REVISED 1-9-23	TYPE "E" CONCRETE MEDIAN CURB AND GUTTER	STANDARD DETAIL 21-4
	2-1-07 DATE	_____ _____ _____		
	_____ _____ _____			